

Mobil 3 S.r.l.
Via Galileo Galilei, 3
30020 Torre di Mosto (VE)
Telefono: +39 0421 461833
Fax: +39 0421 314207

www.mobil3srl.com
amministrazione@mobil3srl.com
P.IVA/R.I.: 03397940275
Cap. soc.: € 25.000,00



**CUSTOMER PERSONAL INFORMATION
NEW CUSTOMER**

IDENTIFICATION INFORMATION:

Name:

VAT Number:

Address:.....Postal Code:.....

Location:.....Country:.....

Phone Number:.....Fax:.....

E-mail for quotations/orders:.....

E-mail for deliveries/administration:

Delivery address:..... Postal Code:.....

Location:.....Country:.....

Phone Number:.....Fax:.....

PAYMENT METHOD

Method: BANK TRANSFER

EU COMPANIES ONLY:

VIIES registration: Yes No

DELIVERY AND UNLOADING

With fork lift: Yes No

Unloading with trailer truck Yes No

Please note that additional charges may incur in case of delivery addresses not accessible to 13 meters trucks.

I state that I have read and understood the terms and conditions as set out in the Commercial Section of "Mobil3 Area" of the website www.mobil3srl.com

I state that I agree to receive newsletters about commercial updates.

We request you to return to us this form filled in every part.

Mobil3 srl
Administration

(Stamp and Customer's signature)

In compliance with the Italian Legislative Decree no. 196 dated 30/06/2003, I hereby authorize Mobil3 srl to use and process my personal details contained in this document for commercial purposes.

Mobil 3 S.r.l.
 Via Galileo Galilei, 3
 30020 Torre di Mosto (VE)
 Telefono: +39 0421 461833
 Fax: +39 0421 314207

www.mobil3srl.com
 amministrazione@mobil3srl.com
 P.IVA/R.I.: 03397940275
 Cap. soc.: € 25.000,00



	COMPANY		VAT CODE	
	ADDRESS		STREET	
ORDER QUOTATION DATE		ZIP CODE		TOWN
CLIENT'S REFERENCE:		DELIVERY ADDRESS		STREET
		TEL.		ZIP CODE
				E-MAIL

REFERENCE	OPENING TYPE						FINISH	NET DIMENSION	ROUGH DIMENSION	WALL	JAMB	OPEN DIREC	ACCESSORIES	Q.TY
SERIES	HINGED (Aruba)	HINGED (invisible hinges)	POCKET	EXTERNAL SLIDING (TYPE...)	FOLDING (TYPE.....)	FLUSH	CODE	W x H	W x H	WALL THICKNESS	MODEL	P U S H L E F T	P U S H R I G H T	LOCK, HANDLE, OTHER
MODEL														
A_														
B_														
C_														
D_														
E_														
F_														
G_														
H_														
I_														
J_														
K_														
L_														
M_														
N_														

In case of pocket doors, please provide the internal seat measure. Please fill the « pocket door measurement instructions » forms.
 Please send quotation requests and orders to commerciale2@mobil3srl.com

OTHER INFORMATION	CORE	HOLLOWCORE	HARDWARE FINISH	POCKET DOOR INTERNAL SEAT	NUMBER OF INVISIBLE HINGES
		CHIPBOARD			
		POLYSTIRENE			
OTHER					
OTHER REF.					
OTHER REF.					
OTHER REF.					
SHIPPING	COLLECTED BY CUSTOMER	DELIVERED BY SUPPLIER	DELIVERY FEE	DISCOUNT	

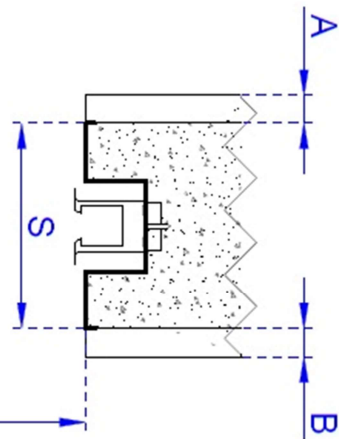
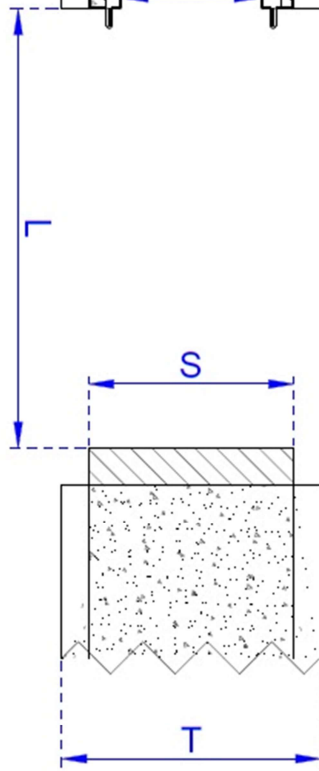
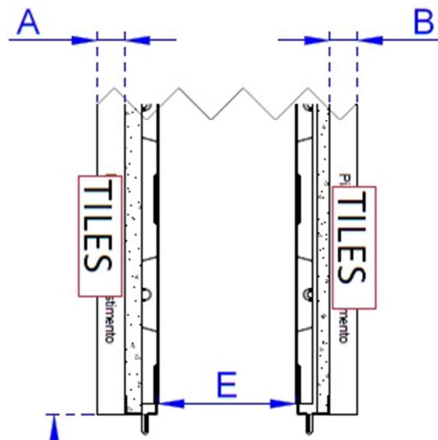


PORTE DA INTERNO

POCKET DOOR MEASUREMENTS INSTRUCTIONS

CLIENT

REF.



COUNTERFRAME BRAND

DIMENSIONS IN MM

A

COUNTERFRAME MODEL

B

COUNTERFRAME TYPE

L

PLASTERBOARD

PLASTER

S

T

H

H